



# INSTALLATION INSTRUCTIONS

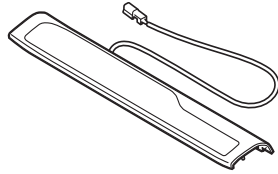
Accessory  
**ILLUMINATED DOOR SILL TRIM**

Application  
**2016 RLX**

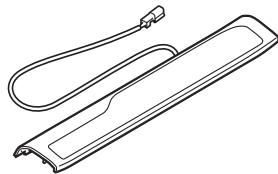
Publications No.  
**VERSION 1**  
Issue Date  
**JAN 2015**

## PARTS LIST

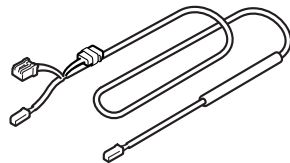
Left illuminated door sill trim



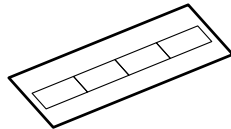
Right illuminated door sill trim



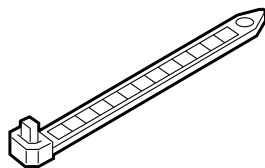
Door sill trim harness



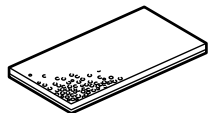
Fuse label



14 Wire ties



Urethane tape



## TOOLS AND SUPPLIES REQUIRED

Phillips screwdriver

Ratchet

10 mm Socket

10 mm Open end wrench

Diagonal cutters

Tape

Ruler

Isopropyl alcohol

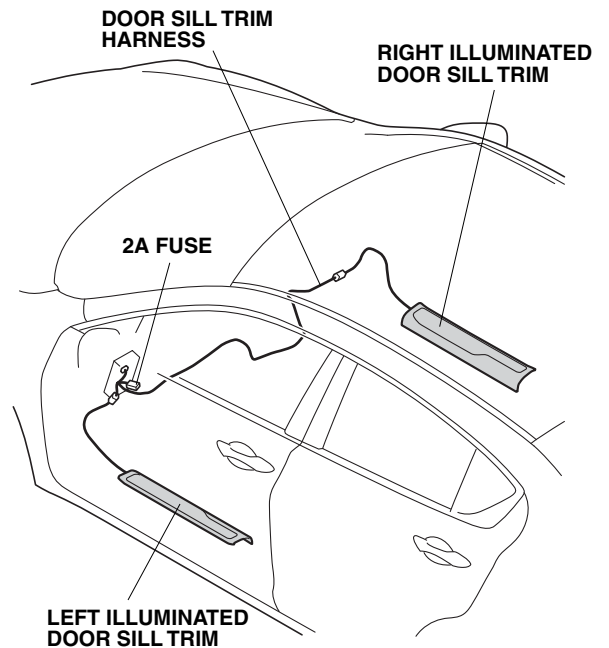
Shop towel

Scissors

*The following tool is available through the Honda Tool and Equipment Program. On the iN, click on: Service > Service Bay > Tool and Equipment Program, then enter the number under "Search". Or, call 888-424-6857.*

- Trim Tool Set (T/N SOJATP2014)

### Illustration of the Illuminated Door Sill Trim in the Vehicle

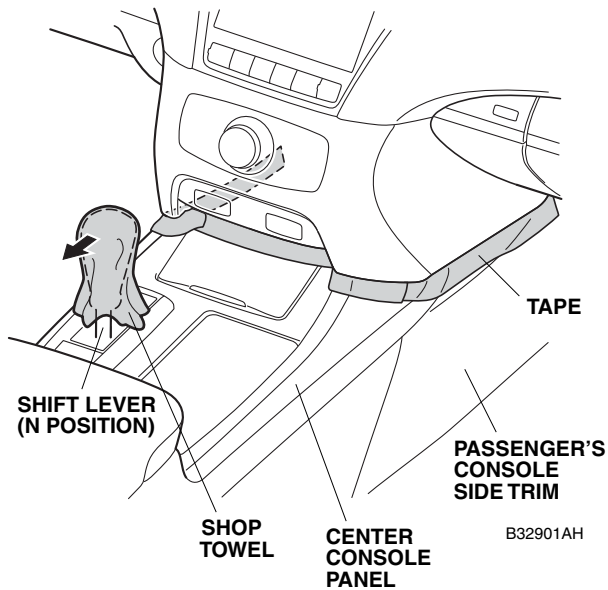


QB40122AH

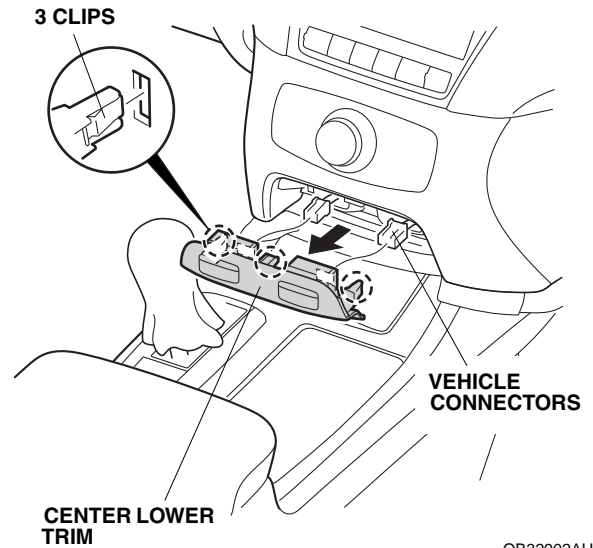
## INSTALLATION

**Client Information:** The information in this installation instruction is intended for use only by skilled technicians who have the proper tools, equipment, and training to correctly and safely add equipment to your vehicle. These procedures should not be attempted by “do-it-yourselfers.”

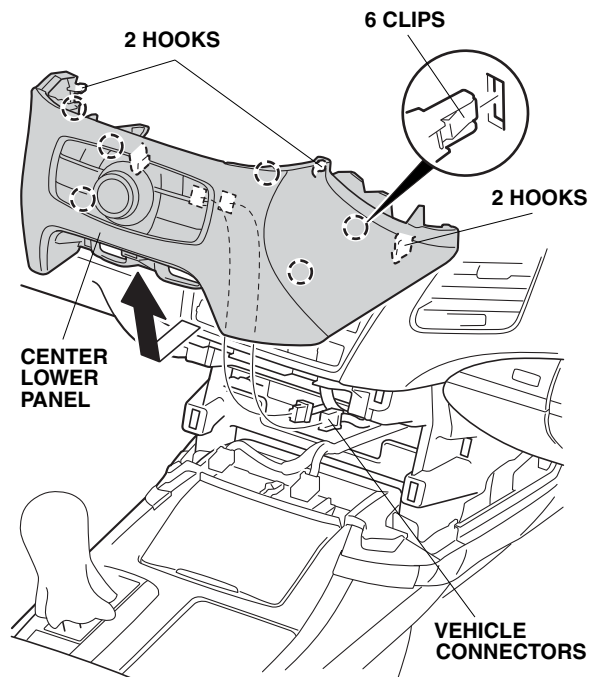
1. Disconnect the negative cable from the battery.
2. Apply tape to the center console panel and the driver's and passenger's console side trims as shown. With the vehicle's parking brake set and wheels chocked, move the shift lever to the N (neutral) position, and wrap a shop towel around the shift lever.



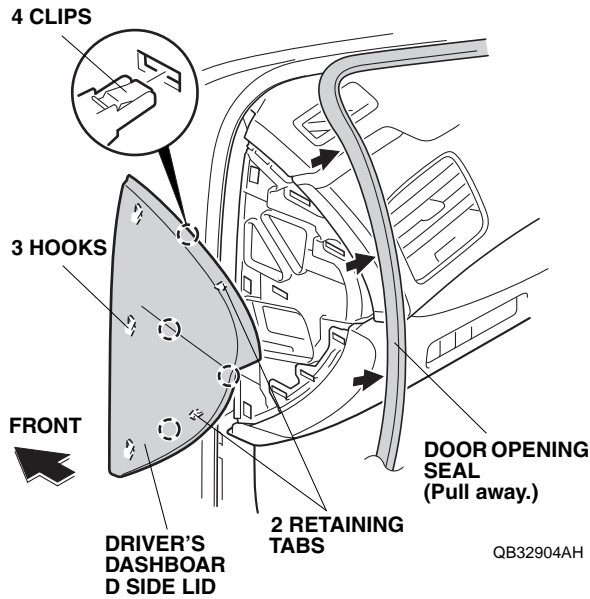
3. Remove the center lower trim (three clips, and unplug the vehicle connectors).



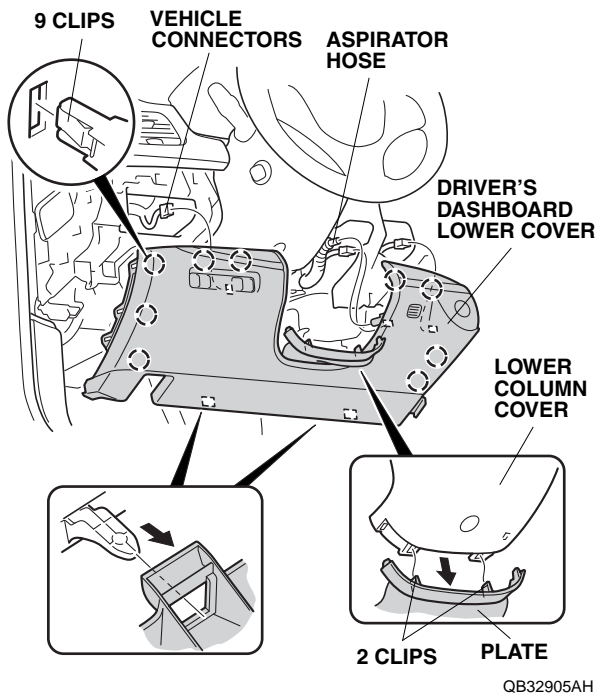
4. Remove the center lower panel (six clips, four hooks, and unplug the vehicle connectors).



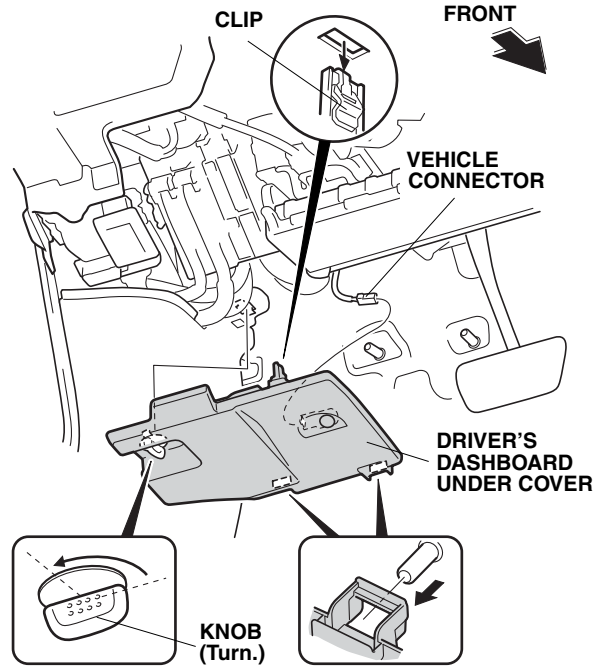
5. Pull away the door opening seal, and remove the driver's dashboard side lid (four clips, two retaining tabs, and three hooks).



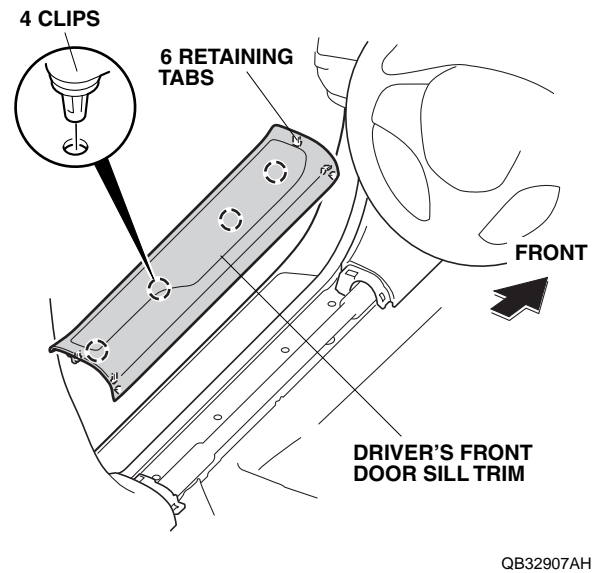
6. Remove the driver's dashboard lower cover (nine clips, and unplug the vehicle connectors and aspirator hose), then remove the plate (two clips).



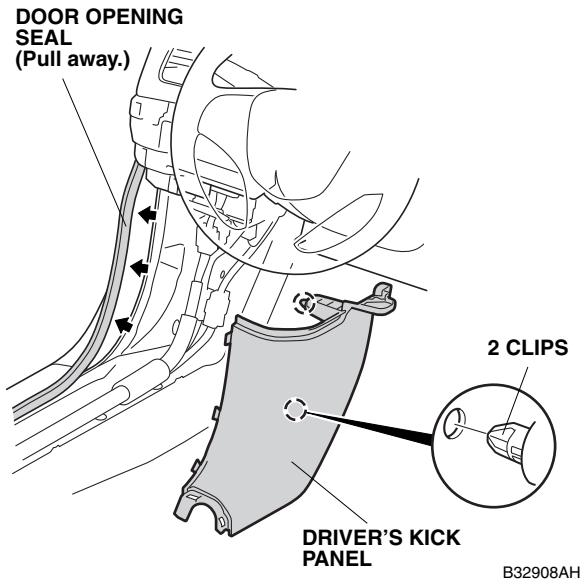
7. Turn the knob, and remove the driver's dashboard under cover (one clip, and unplug the vehicle connector).



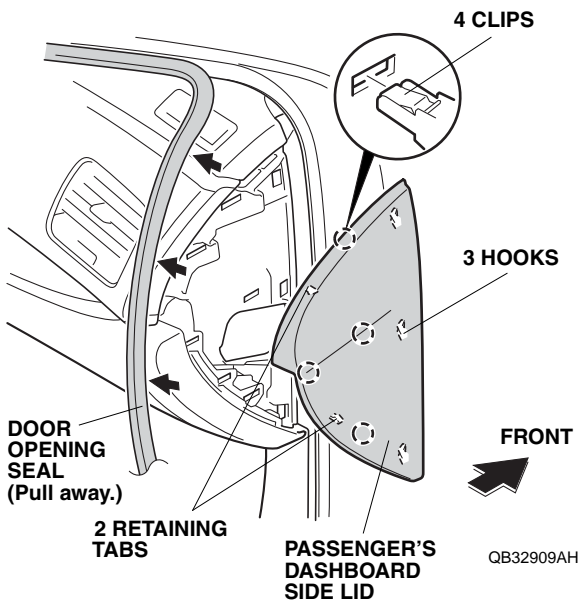
8. Remove the driver's front door sill trim (four clips and six retaining tabs).



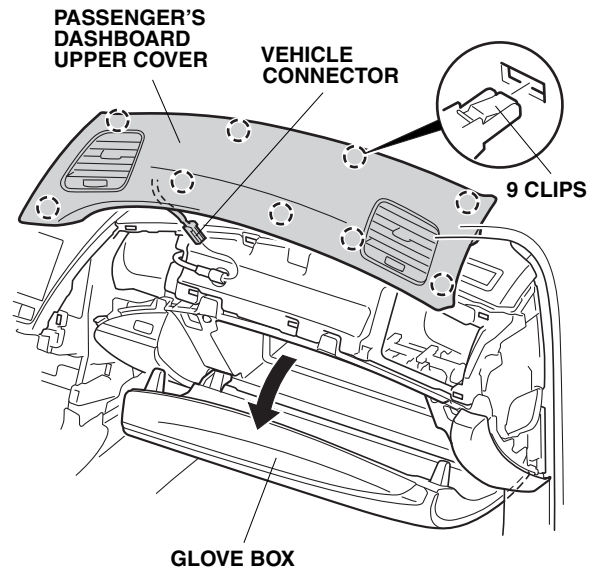
9. Pull away the door opening seal, and remove the driver's kick panel (two clips).



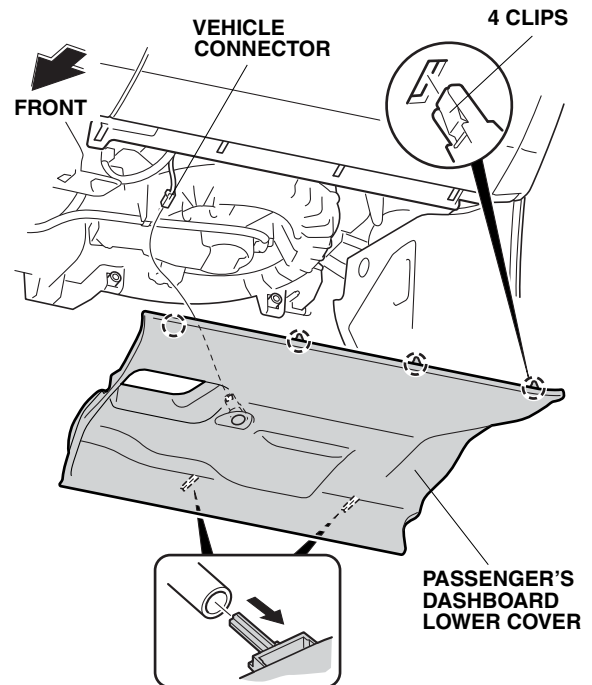
10. Pull away the door opening seal, and remove the passenger's dashboard side lid (four clips, two retaining tabs, and three hooks).



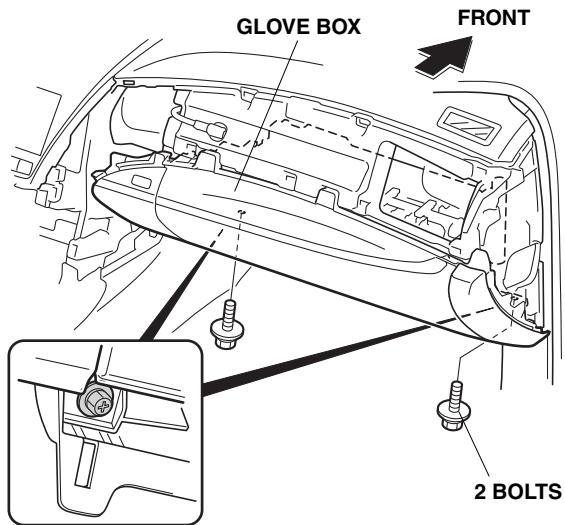
11. Reconnect the negative cable to the battery, then press the engine start/stop button to select the ON mode. Open the glove box.



12. Press the engine start/stop button to select OFF mode, then disconnect the negative cable from the battery. Remove the passenger's dashboard upper cover (nine clips, and unplug the vehicle connector).
13. Close the glove box.
14. Remove the passenger's dashboard lower cover (four clips, and unplug the vehicle connector).

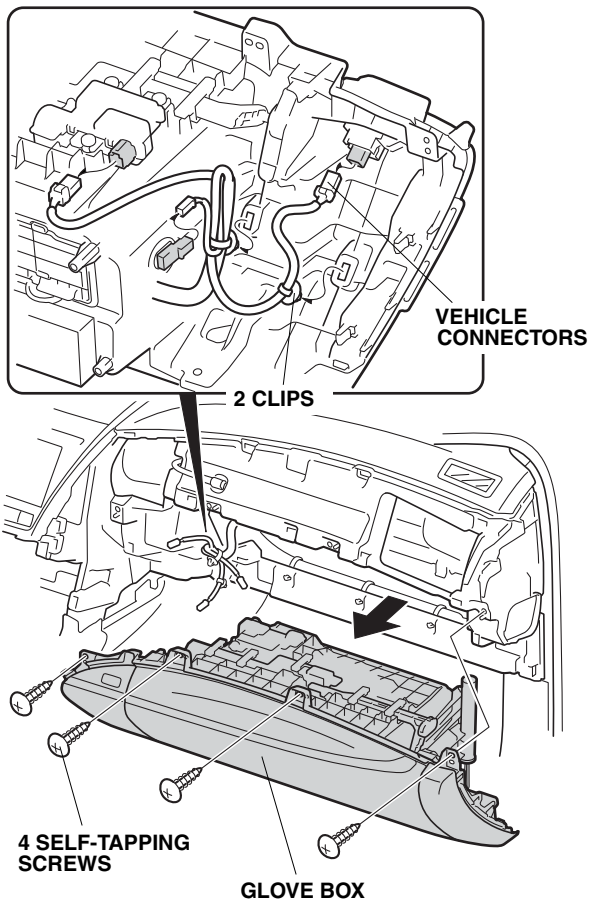


15. Remove the two bolts from the bottom of the glove box.



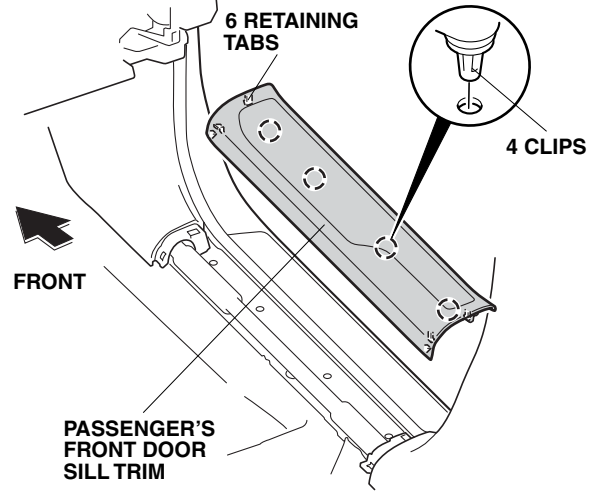
QB32912AH

16. Remove the glove box (four self-tapping screws, two clips, and unplug the vehicle connectors).



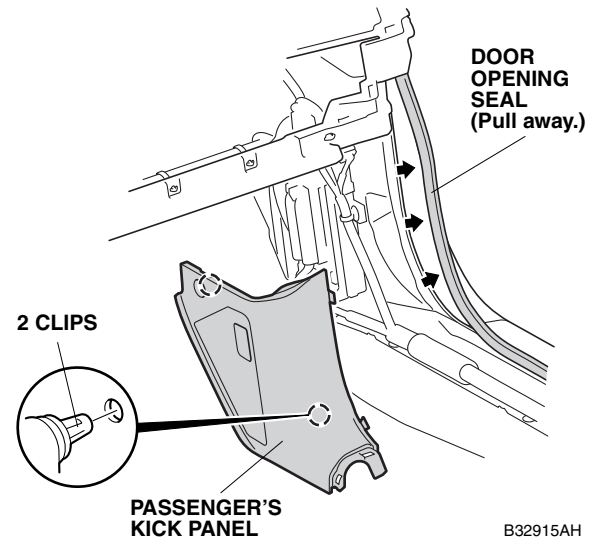
QB32913AH

17. Remove the passenger's front door sill trim (four clips and six retaining tabs).



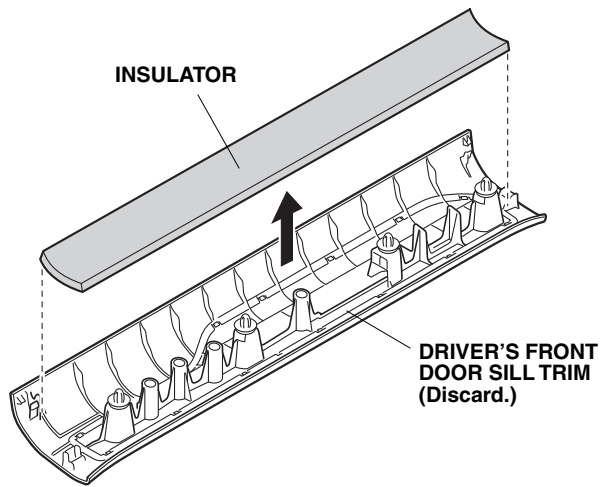
QB32914AH

18. Pull away the door opening seal, and remove the passenger's kick panel (two clips).



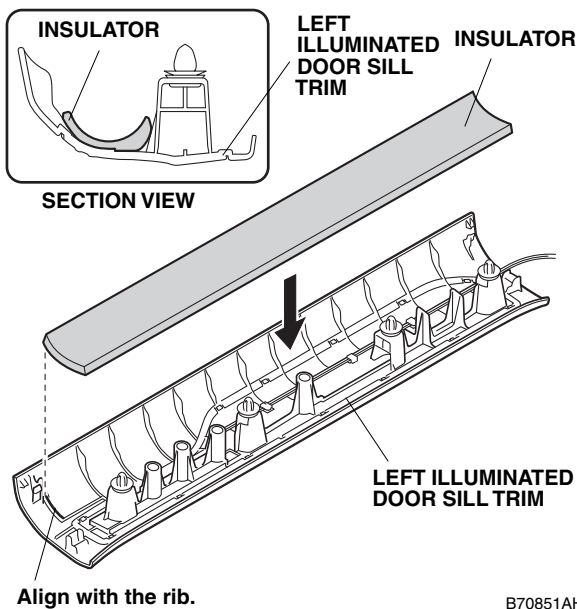
B32915AH

- Carefully remove the insulator from the driver's front door sill trim. Do not damage the insulator.



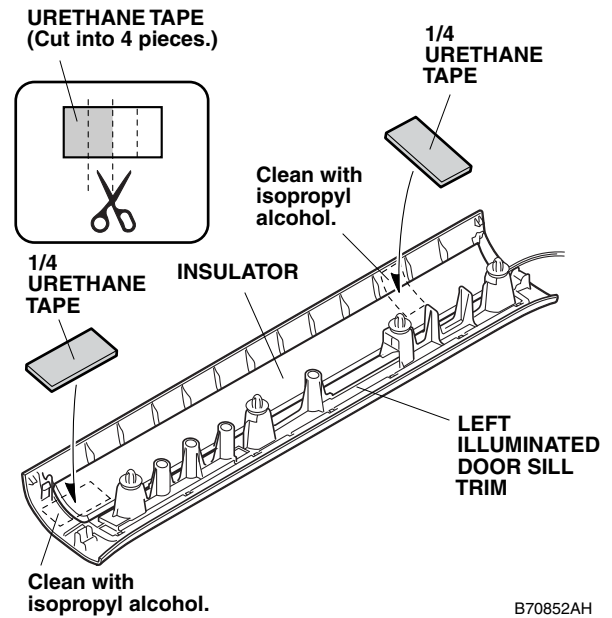
B70850AH

- Align the edge of the insulator with the rib on the left illuminated door sill trim.



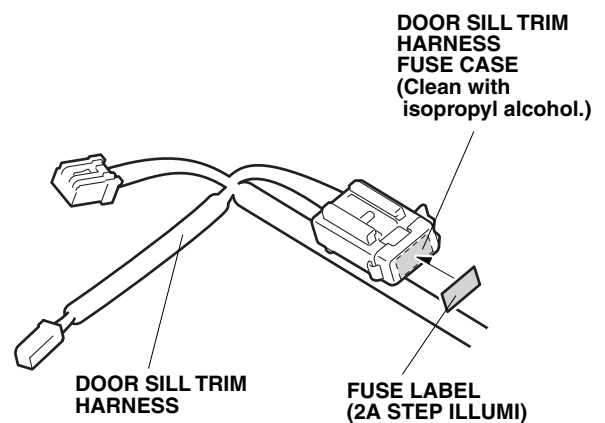
B70851AH

- Using isopropyl alcohol on a shop towel, thoroughly clean the left illuminated door sill trim where the urethane tape will attach.



B70852AH

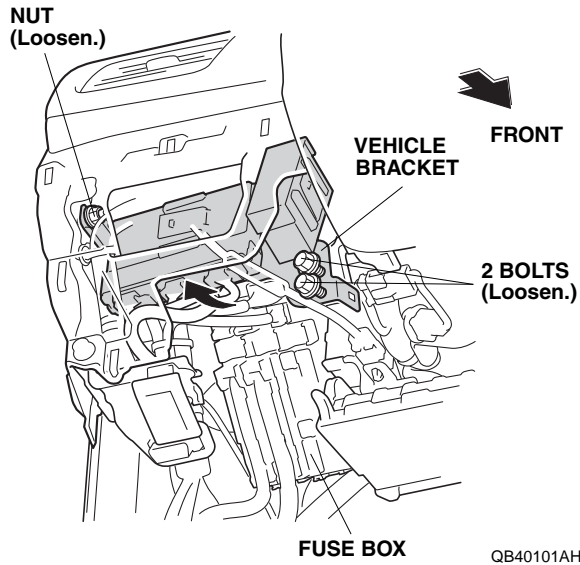
- Using scissors, cut one urethane tape into four equal pieces. Secure the insulator to the left illuminated door sill trim with two cut pieces of urethane tape.
- Repeat steps 19 through 22 to install the insulator on the right illuminated door sill trim.
- Using isopropyl alcohol on a shop towel, thoroughly clean the door sill trim harness fuse case where the fuse label will attach.



B40124AH

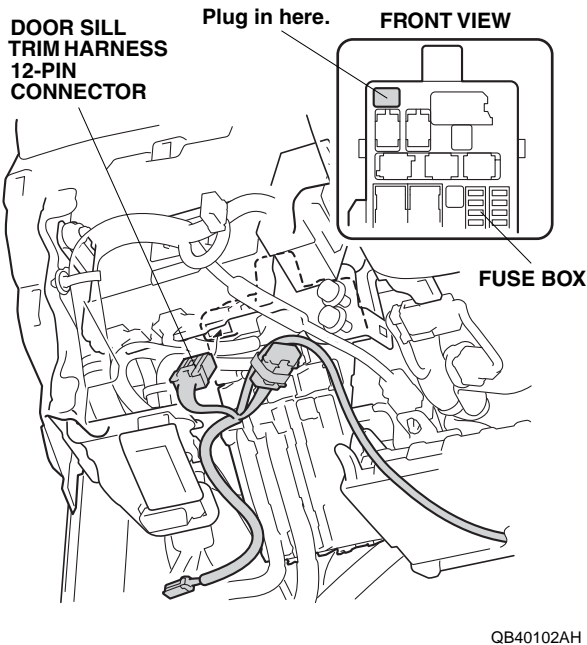
- Attach the fuse label to the door sill trim harness fuse case.

26. To gain access to the door sill trim harness 12-pin connector, loosen one nut and two bolts from the vehicle bracket, and move the vehicle bracket.



**Without Another Accessory Harness 12-pin connector**

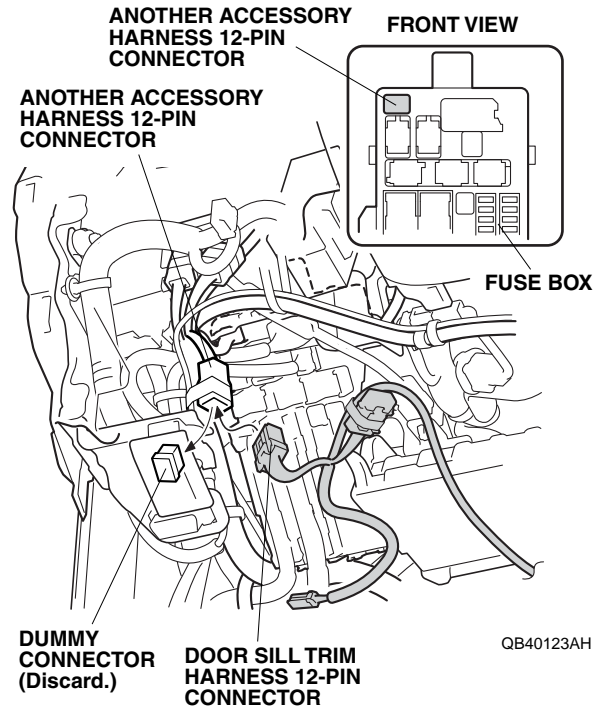
27. Plug the door sill trim harness 12-pin connector into the fuse box.



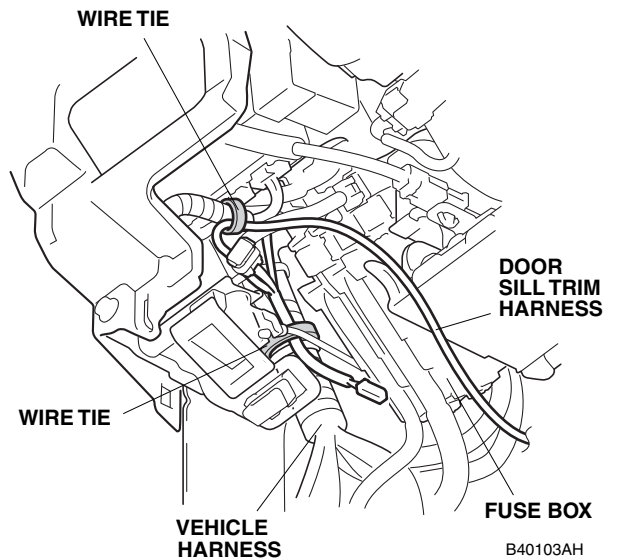
28. Reinstall the vehicle bracket.  
 Go to step 31.

**With Another Accessory Harness 12-pin connector**

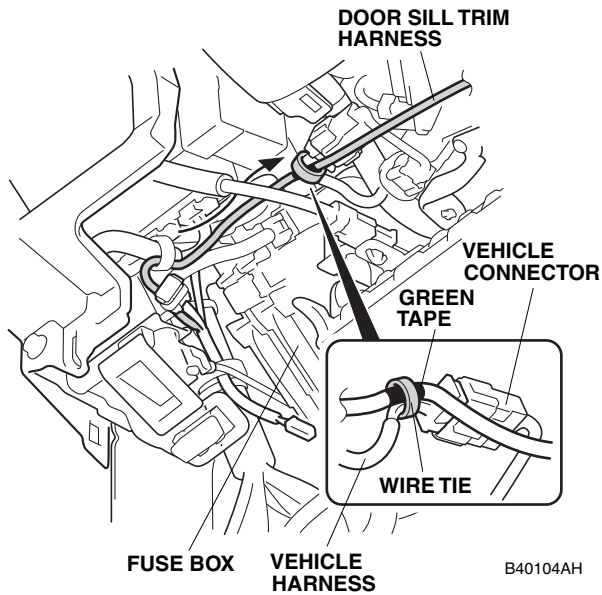
29. If the 12-pin connector is already used by another accessory, locate the 12-pin connector taped to the other accessory harness. Remove the dummy connector from accessory harness 12-pin connector, and plug the door sill trim harness 12-pin connector into the other accessory harness.



30. Reinstall the vehicle bracket.  
 31. Secure the door sill trim harness to the vehicle harness with two wire ties.

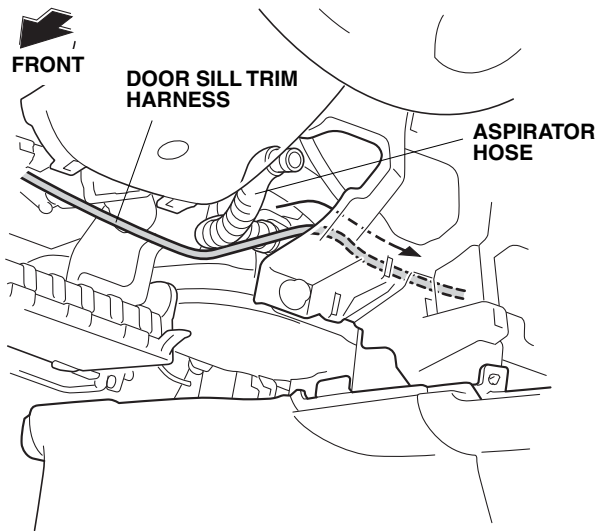


32. Route the door sill trim harness as shown. Align the green tape on the door sill trim harness with the vehicle harness as shown, and secure the door sill trim harness to the vehicle harness with one wire tie.



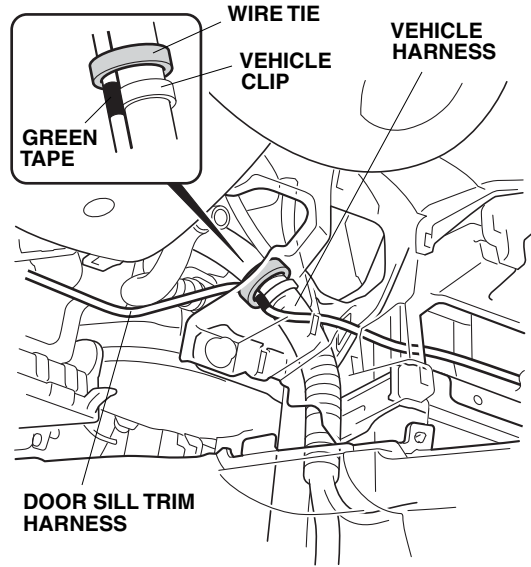
B40104AH

33. Route the door sill trim harness as shown.



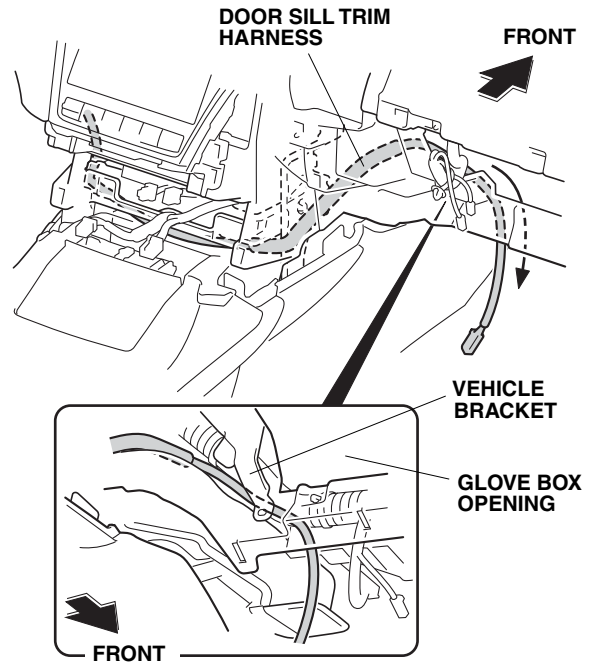
B40105BH

34. Align the green tape on the door sill trim harness with the vehicle clip, and secure the door sill trim harness to the vehicle harness with one wire tie.



B40106BH

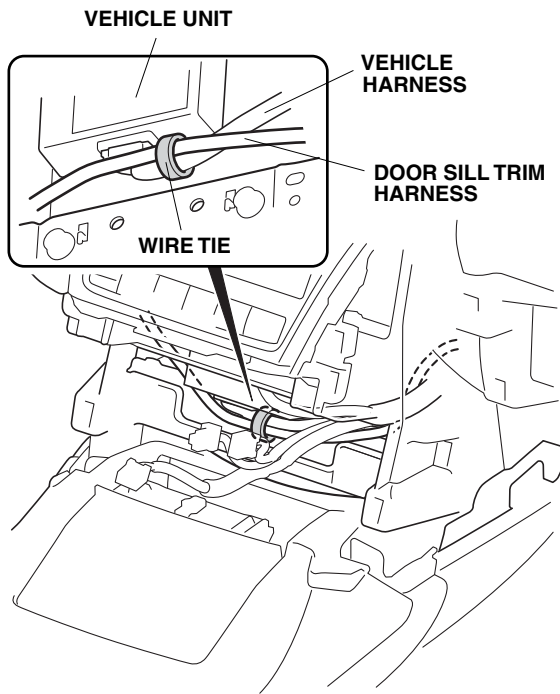
35. Route the door sill trim harness as shown.



QB40107AH

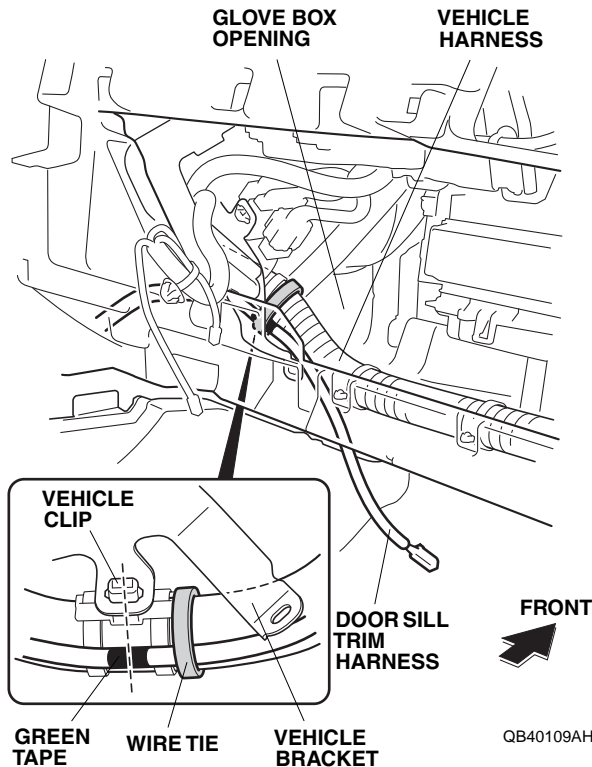


36. Secure the door sill trim harness to the vehicle harness with one wire tie.



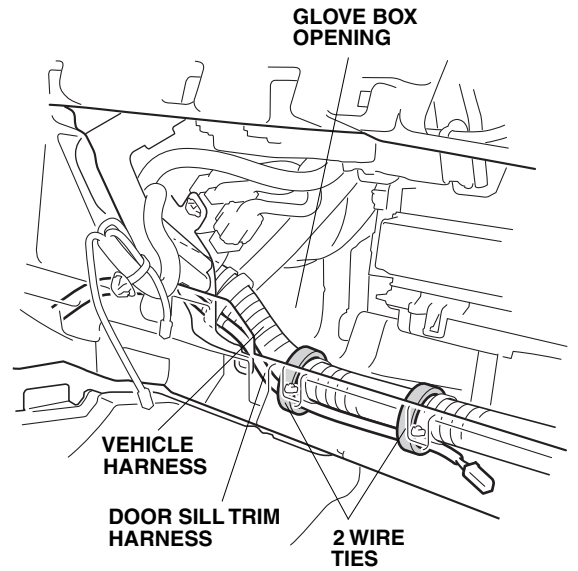
B40108BH

37. Align the green tape on the door sill trim harness with the vehicle clip, and secure the door sill trim harness to the vehicle harness with one wire tie.



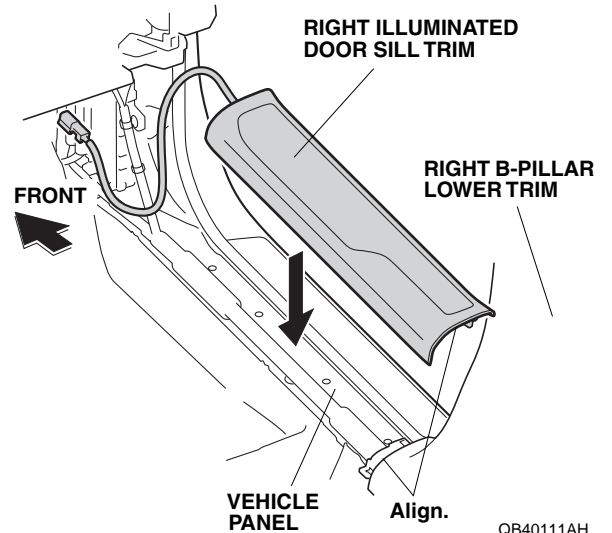
QB40109AH

38. Secure the door sill trim harness to the vehicle harness with two wire ties.



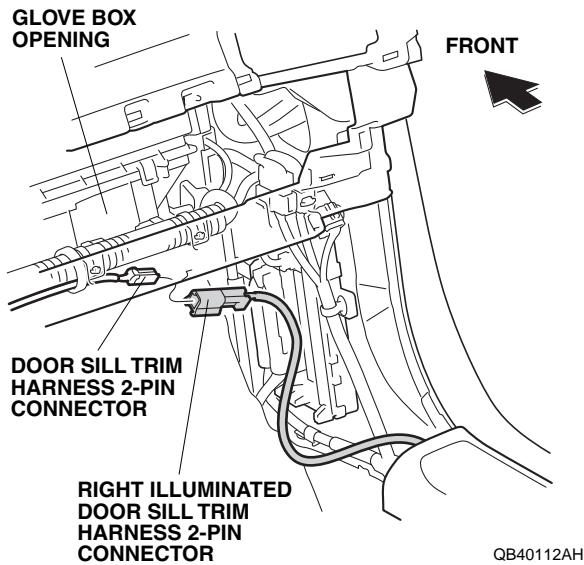
B40110AH

39. Position the right illuminated door sill trim to the vehicle panel.



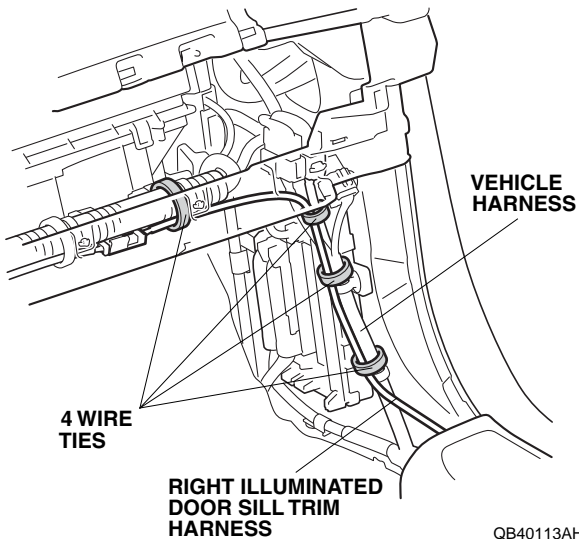
QB40111AH

40. Plug the door sill trim harness 2-pin connector into the right illuminated door sill trim harness 2-pin connector.



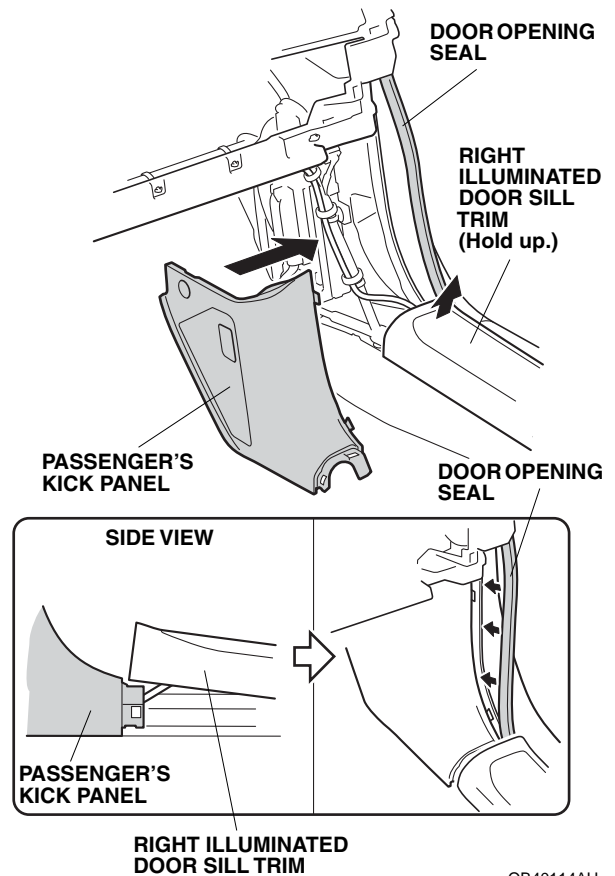
QB40112AH

41. Secure the right illuminated door sill trim harness to the vehicle harness with four wire ties.



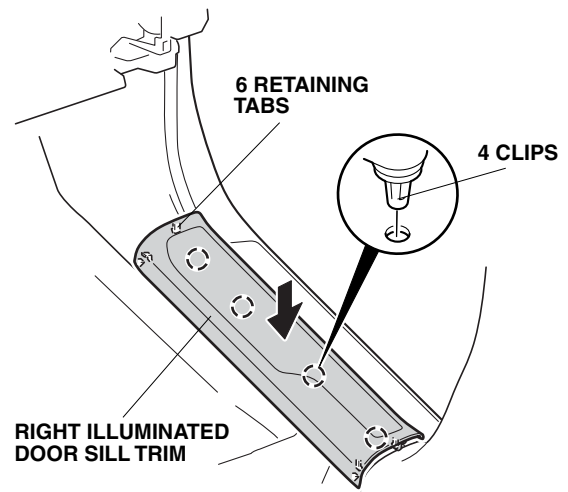
QB40113AH

42. Reinstall the passenger's kick panel and the door opening seal.



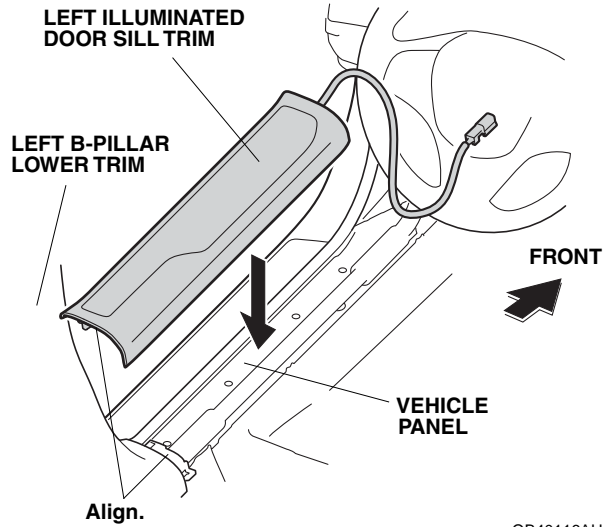
QB40114AH

43. Attach the right illuminated door sill trim to the vehicle panel (four clips and six retaining tabs).



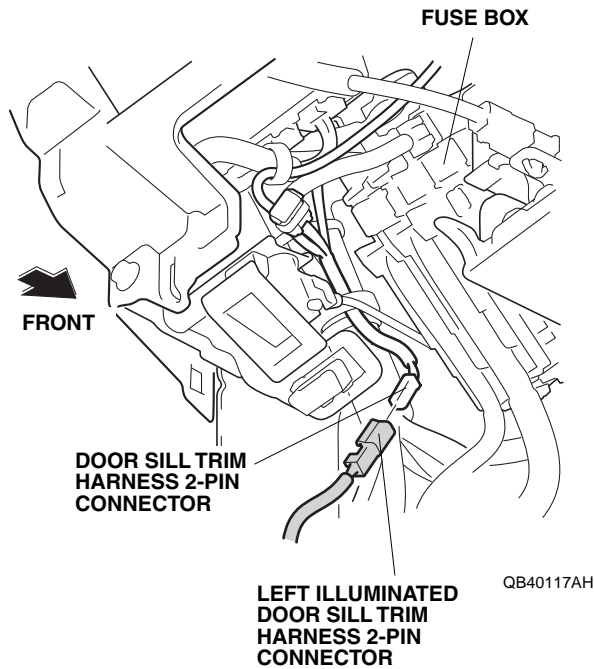
QB40115AH

44. Position the left illuminated door sill trim to the vehicle panel.



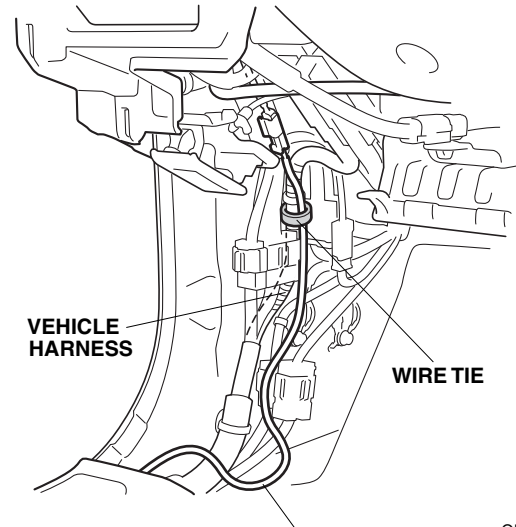
QB40116AH

45. Plug the door sill trim harness 2-pin connector into the left illuminated door sill trim harness 2-pin connector.



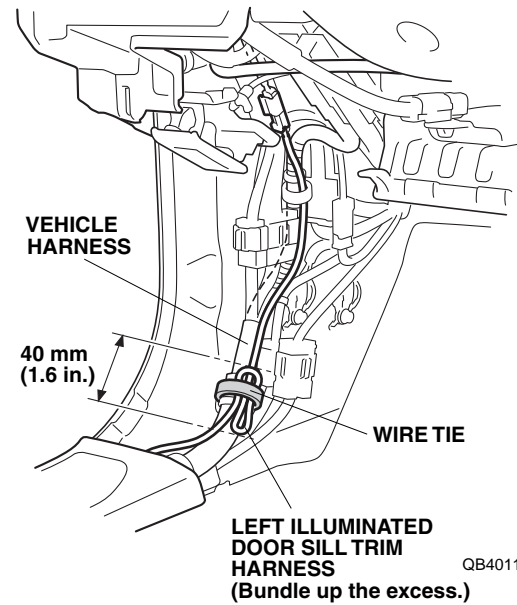
QB40117AH

46. Secure the left illuminated door sill trim harness to the vehicle harness with one wire tie.



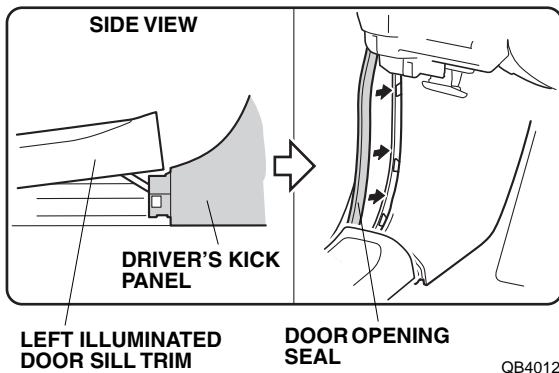
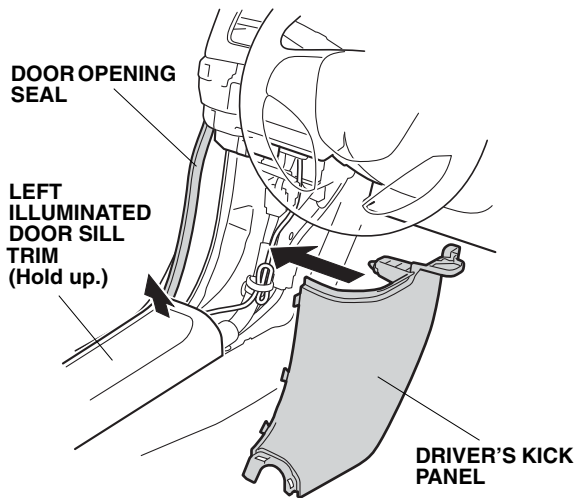
QB40118AH

47. Bundle up the excess left illuminated door sill trim harness, and secure it to the vehicle harness with one wire tie.



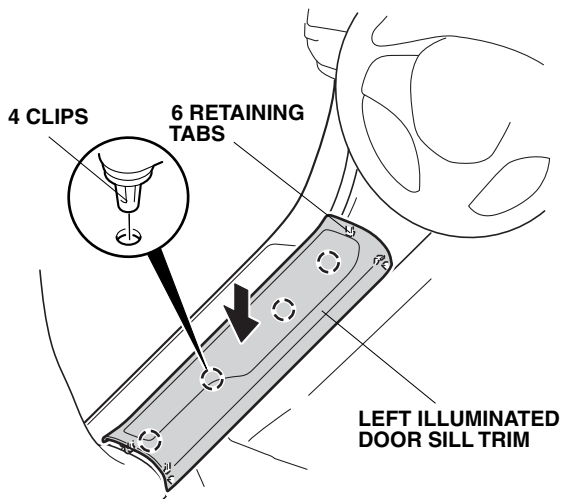
QB40119AH

- Reinstall the driver's kick panel and the door opening seal.



QB40120AH

- Attach the left illuminated door sill trim to the vehicle panel (four clips and six retaining tabs).



QB40121AH

- Check that all wire harnesses are routed properly and all connectors are plugged in.
- Reinstall all removed parts.
- Reconnect the negative cable to the battery and check the operation of all lights and electrical accessories.
- Press and hold the radio power button for two seconds to restore the radio and navi (if equipped) system functions.
- Reset the clock.